

SPRING MOUNT

100-SERIES Spring Mounts

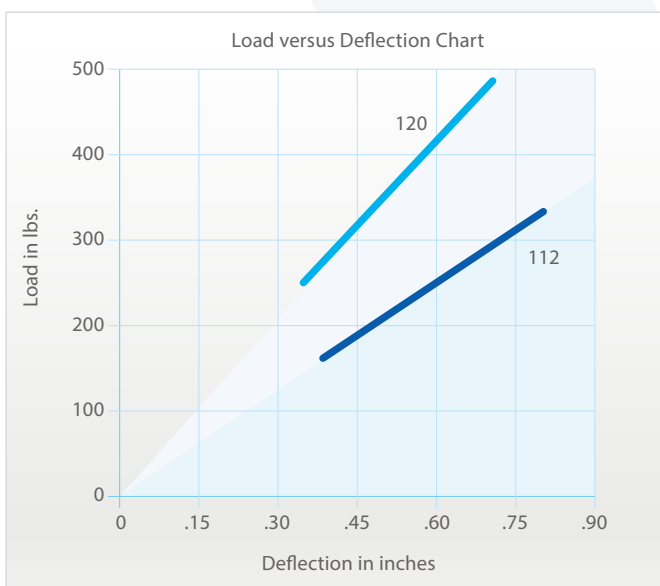
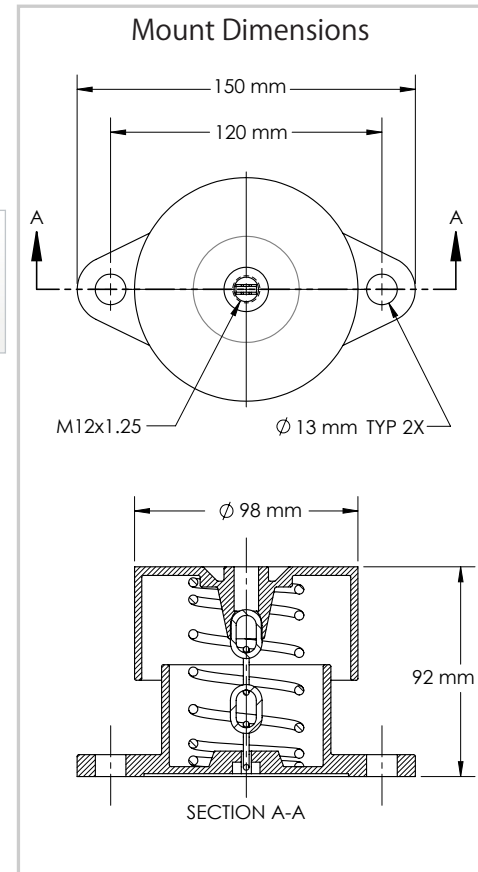
The steel spring is housed in the cast aluminum housing. Tube inside cover cup limits movement under lateral forces, and aluminum base reduce transfer vibrations. Cast aluminum housing is ideal for food and pharmaceutical industries. Neoprene base pad is available for extra isolation and noise reduction.

Recommended for:

Suitable for ventilation units, fans, HVAC units, etc.

Features:

- ✓ Quick and easy installation.
- ✓ Compensates for uneven floors.
- ✓ Open Spring.
- ✓ Low natural frequency.



Model	Max Vertical Load (lbs)	Deflection at Max Load (in)	Spring Rate (lbs/in)
112	330	.80	412
120	490	.70	700